

*Disclaimer: Images are for illustrative purposes.*

## Self Drilling Metal Screw

**Head Style:** Hex Flange Head

**Drive Type:** Hex

**Neo:** Multiseal BRA Washer

**Material:** Hardened Steel

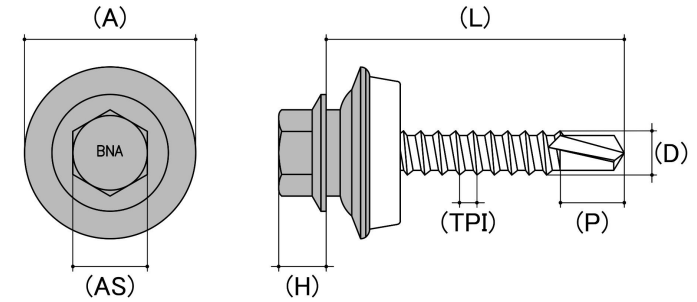
**Class Grade:** Class 4 / B8® Cat 5

**Finish:** Galvanised

**Corrosion Protection Level:** Excellent

**Internal External:** External

**Product Note:** Thread lengths can vary between brands and batches



Size	Thread Pitch (TPI)	Thread Type	Product Diameter (D) (mm)		Head Diameter (A) (mm)		Head Height (H) (mm)	Drill Point Length (P) (mm)	Min To Max Steel Thickness (mm)		Single Shear (kN)	Axial Tensile (kN)	Torsional (Nm)	Driver Bit Size (AS) (inches)	Colour	sku (Part Number)
			Min	Max	Min	Max	Nom	Nom	Min	Max	Nom	Nom	Nom			
14g (6.30mm)	10 TPI	Coarse	6.20	6.40	24.50	25.50	6.40	8.80	1.20	5.00	11.100	20.300	20.800	3/8	Basalt / Grantite	08CY141053C4BRABA
14g (6.30mm)	10 TPI	Coarse	6.20	6.40	24.50	25.50	6.40	8.80	1.20	5.00	11.100	20.300	20.800	3/8	Basalt / Grantite	08CY141065C4BRABA
14g (6.30mm)	10 TPI	Coarse	6.20	6.40	24.50	25.50	6.40	8.80	1.20	5.00	11.100	20.300	20.800	3/8	Classic Cream / Smooth Cream / Ivory	08CY141053C4BRACC
14g (6.30mm)	10 TPI	Coarse	6.20	6.40	24.50	25.50	6.40	8.80	1.20	5.00	11.100	20.300	20.800	3/8	Classic Cream / Smooth Cream / Ivory	08CY141065C4BRACC
14g (6.30mm)	10 TPI	Coarse	6.20	6.40	24.50	25.50	6.40	8.80	1.20	5.00	11.100	20.300	20.800	3/8	Deep Ocean / Mountain Blue	08CY141053C4BRADO
14g (6.30mm)	10 TPI	Coarse	6.20	6.40	24.50	25.50	6.40	8.80	1.20	5.00	11.100	20.300	20.800	3/8	Deep Ocean / Mountain Blue	08CY141065C4BRADO
14g (6.30mm)	10 TPI	Coarse	6.20	6.40	24.50	25.50	6.40	8.80	1.20	5.00	11.100	20.300	20.800	3/8	Dune / Birch / Grey	08CY141053C4BRADU

Size	Thread Pitch (TPI)	Thread Type	Product Diameter (D) (mm)		Head Diameter (A) (mm)		Head Height (H) (mm)	Drill Point Length (P) (mm)	Min To Max Steel Thickness (mm)		Single Shear (kN)	Axial Tensile (kN)	Torsional (Nm)	Driver Bit Size (AS) (inches)	Colour	sku (Part Number)
			Min	Max	Min	Max	Nom	Nom	Min	Max	Nom	Nom	Nom			
14g (6.30mm)	10 TPI	Coarse	6.20	6.40	24.50	25.50	6.40	8.80	1.20	5.00	11.100	20.300	20.800	3/8	Dune / Birch / Grey	08CY141065C4BRADU
14g (6.30mm)	10 TPI	Coarse	6.20	6.40	24.50	25.50	6.40	8.80	1.20	5.00	11.100	20.300	20.800	3/8	Evening Haze / Moss Vale Sand	08CY141053C4BRAEH
14g (6.30mm)	10 TPI	Coarse	6.20	6.40	24.50	25.50	6.40	8.80	1.20	5.00	11.100	20.300	20.800	3/8	Evening Haze / Moss Vale Sand	08CY141065C4BRAEH
14g (6.30mm)	10 TPI	Coarse	6.20	6.40	24.50	25.50	6.40	8.80	1.20	5.00	11.100	20.300	20.800	3/8	Ironstone / Grey Rock	08CY141053C4BRAIS
14g (6.30mm)	10 TPI	Coarse	6.20	6.40	24.50	25.50	6.40	8.80	1.20	5.00	11.100	20.300	20.800	3/8	Ironstone / Grey Rock	08CY141065C4BRAIS
14g (6.30mm)	10 TPI	Coarse	6.20	6.40	24.50	25.50	6.40	8.80	1.20	5.00	11.100	20.300	20.800	3/8	Jasper / Taupe / Mocca	08CY141053C4BRAJA
14g (6.30mm)	10 TPI	Coarse	6.20	6.40	24.50	25.50	6.40	8.80	1.20	5.00	11.100	20.300	20.800	3/8	Jasper / Taupe / Mocca	08CY141065C4BRAJA
14g (6.30mm)	10 TPI	Coarse	6.20	6.40	24.50	25.50	6.40	8.80	1.20	5.00	11.100	20.300	20.800	3/8	Manor Red / Heritage Red	08CY141053C4BRAMR
14g (6.30mm)	10 TPI	Coarse	6.20	6.40	24.50	25.50	6.40	8.80	1.20	5.00	11.100	20.300	20.800	3/8	Manor Red / Heritage Red	08CY141065C4BRAMR
14g (6.30mm)	10 TPI	Coarse	6.20	6.40	24.50	25.50	6.40	8.80	1.20	5.00	11.100	20.300	20.800	3/8	Monument / Thunder / Charcoal	08CY141053C4BRAMO
14g (6.30mm)	10 TPI	Coarse	6.20	6.40	24.50	25.50	6.40	8.80	1.20	5.00	11.100	20.300	20.800	3/8	Monument / Thunder / Charcoal	08CY141065C4BRAMO
14g (6.30mm)	10 TPI	Coarse	6.20	6.40	24.50	25.50	6.40	8.80	1.20	5.00	11.100	20.300	20.800	3/8	Night Sky / Ebony / Black / Jet Black	08CY141053C4BRANS
14g (6.30mm)	10 TPI	Coarse	6.20	6.40	24.50	25.50	6.40	8.80	1.20	5.00	11.100	20.300	20.800	3/8	Night Sky / Ebony / Black / Jet Black	08CY141065C4BRANS
14g (6.30mm)	10 TPI	Coarse	6.20	6.40	24.50	25.50	6.40	8.80	1.20	5.00	11.100	20.300	20.800	3/8	Pale Eucalypt / Mist Green	08CY141053C4BRAPE
14g (6.30mm)	10 TPI	Coarse	6.20	6.40	24.50	25.50	6.40	8.80	1.20	5.00	11.100	20.300	20.800	3/8	Pale Eucalypt / Mist Green	08CY141065C4BRAPE
14g (6.30mm)	10 TPI	Coarse	6.20	6.40	24.50	25.50	6.40	8.80	1.20	5.00	11.100	20.300	20.800	3/8	Paperbark / Beige / Merino	08CY141053C4BRAPA
14g (6.30mm)	10 TPI	Coarse	6.20	6.40	24.50	25.50	6.40	8.80	1.20	5.00	11.100	20.300	20.800	3/8	Paperbark / Beige / Merino	08CY141065C4BRAPA

Size	Thread Pitch (TPI)	Thread Type	Product Diameter (D) (mm)		Head Diameter (A) (mm)		Head Height (H) (mm)	Drill Point Length (P) (mm)	Min To Max Steel Thickness (mm)		Single Shear (kN)	Axial Tensile (kN)	Torsional (Nm)	Driver Bit Size (AS) (inches)	Colour	sku (Part Number)
			Min	Max	Min	Max	Nom	Nom	Min	Max	Nom	Nom	Nom			

14g (6.30mm)	10 TPI	Coarse	6.20	6.40	24.50	25.50	6.40	8.80	1.20	5.00	11.100	20.300	20.800	3/8	Shale Grey / Gull Grey	08CY141053C4BRASG
14g (6.30mm)	10 TPI	Coarse	6.20	6.40	24.50	25.50	6.40	8.80	1.20	5.00	11.100	20.300	20.800	3/8	Shale Grey / Gull Grey	08CY141065C4BRASG
14g (6.30mm)	10 TPI	Coarse	6.20	6.40	24.50	25.50	6.40	8.80	1.20	5.00	11.100	20.300	20.800	3/8	Surfmist / Off White / Titanium	08CY141053C4BRASU
14g (6.30mm)	10 TPI	Coarse	6.20	6.40	24.50	25.50	6.40	8.80	1.20	5.00	11.100	20.300	20.800	3/8	Surfmist / Off White / Titanium	08CY141065C4BRASU
14g (6.30mm)	10 TPI	Coarse	6.20	6.40	24.50	25.50	6.40	8.80	1.20	5.00	11.100	20.300	20.800	3/8	Surfmist / Off White / Titanium	08CY141075C4BRASU
14g (6.30mm)	10 TPI	Coarse	6.20	6.40	24.50	25.50	6.40	8.80	1.20	5.00	11.100	20.300	20.800	3/8	Surfmist / Off White / Titanium	08CY141095C4BRASU
14g (6.30mm)	14 TPI	Coarse	6.20	6.40	24.50	25.50	6.40	8.80	1.20	5.00	11.400	19.500	21.000	3/8	Surfmist / Off White / Titanium	08CY1414115C4BRASU
14g (6.30mm)	14 TPI	Coarse	6.20	6.40	24.50	25.50	6.40	8.80	1.20	5.00	11.400	19.500	21.000	3/8	Surfmist / Off White / Titanium	08CY1414125C4BRASU
14g (6.30mm)	14 TPI	Coarse	6.20	6.40	24.50	25.50	6.40	8.80	1.20	5.00	11.400	19.500	21.000	3/8	Surfmist / Off White / Titanium	08CY1414150C4BRASU
14g (6.30mm)	14 TPI	Coarse	6.20	6.40	24.50	25.50	6.40	8.80	1.20	5.00	11.400	19.500	21.000	3/8	Surfmist / Off White / Titanium	08CY1414175C4BRASU
14g (6.30mm)	14 TPI	Coarse	6.20	6.40	24.50	25.50	6.40	8.80	1.20	5.00	11.400	19.500	21.000	3/8	Surfmist / Off White / Titanium	08CY1414205C4BRASU
14g (6.30mm)	10 TPI	Coarse	6.20	6.40	24.50	25.50	6.40	8.80	1.20	5.00	11.100	20.300	20.800	3/8	Windspray / Dark Grey / Armour Grey	08CY141053C4BRAWS
14g (6.30mm)	10 TPI	Coarse	6.20	6.40	24.50	25.50	6.40	8.80	1.20	5.00	11.100	20.300	20.800	3/8	Windspray / Dark Grey / Armour Grey	08CY141065C4BRAWS
14g (6.30mm)	10 TPI	Coarse	6.20	6.40	24.50	25.50	6.40	8.80	1.20	5.00	11.100	20.300	20.800	3/8	Woodland Grey / Pewter / Slate Grey	08CY141053C4BRAWG
14g (6.30mm)	10 TPI	Coarse	6.20	6.40	24.50	25.50	6.40	8.80	1.20	5.00	11.100	20.300	20.800	3/8	Woodland Grey / Pewter / Slate Grey	08CY141065C4BRAWG

***Disclaimer:***

Dimensional data and technical information was obtained from publically available sources and not acquired through standard agencies. It has been completed and compiled for reference purposes only; where discrepancies are found they are subject to change without notice. Bolt & Nut Australia makes no warranties or representations regarding the accuracy and validity of the compiled information and data. Contact the relevant standard authorities for accurate and detailed information.