

Disclaimer: Images are for illustrative purposes.

Self Drilling Metal Screw

Head Style: Hex Flange Head

Drive Type: Hex

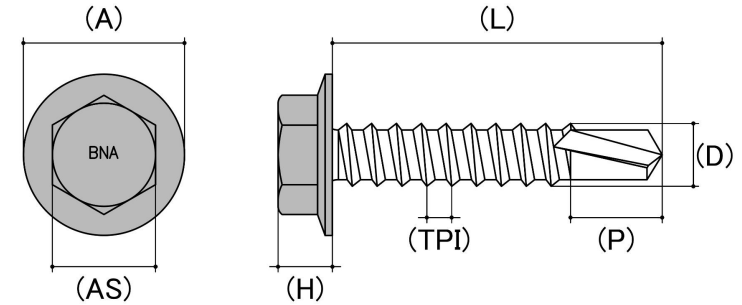
Material: Hardened Steel

Class Grade: Class 4 / B8® Cat 5

Finish: Galvanised

Corrosion Protection Level: Excellent

Internal External: External



Size	Thread Pitch (TPI)	Thread Type	Product Diameter (D) (mm)		Head Diameter (A) (mm)		Head Height (H) (mm)	Drill Point Length (P) (mm)	Min To Max Steel Thickness (mm)		Single Shear (kN)	Axial Tensile (kN)	Torsional (Nm)	Driver Bit Size (AS) (inches)	Colour	sku (Part Number)
			Min	Max	Min	Max	Nom	Nom	Min	Max	Nom	Nom	Nom			
10g (4.80mm)	16 TPI	Coarse	4.65	4.80	11.10	11.40	4.75	4.80	0.75	3.50	6.300	11.100	8.300	5/16	Basalt / Granite	08101616C4BA
10g (4.80mm)	16 TPI	Coarse	4.65	4.80	11.10	11.40	4.75	4.80	0.75	3.50	6.300	11.100	8.300	5/16	Basalt / Granite	08101625C4BA
10g (4.80mm)	16 TPI	Coarse	4.65	4.80	11.10	11.40	4.75	4.80	0.75	3.50	6.300	11.100	8.300	5/16	Night Sky / Ebony / Black / Jet Black	08101616C4NS
10g (4.80mm)	16 TPI	Coarse	4.65	4.80	11.10	11.40	4.75	4.80	0.75	3.50	6.300	11.100	8.300	5/16	Night Sky / Ebony / Black / Jet Black	08101625C4NS
10g (4.80mm)	-	-	-	-	11.10	11.40	4.75	4.80	0.75	3.50	6.300	11.100	8.300	5/16	Bushland / Teatree	08101616C4BU
10g (4.80mm)	16 TPI	Coarse	4.65	4.80	11.10	11.40	4.75	4.80	0.75	3.50	6.300	11.100	8.300	5/16	Classic Cream / Smooth Cream / Ivory	08101616C4CC
10g (4.80mm)	16 TPI	Coarse	4.65	4.80	11.10	11.40	4.75	4.80	0.75	3.50	6.300	11.100	8.300	5/16	Classic Cream / Smooth Cream / Ivory	08101625C4CC
10g (4.80mm)	16 TPI	Coarse	4.65	4.80	11.10	11.40	4.75	4.80	0.75	3.50	6.300	11.100	8.300	5/16	Cottage Green / Caulfield Green	08101616C4CG
10g (4.80mm)	16 TPI	Coarse	4.65	4.80	11.10	11.40	4.75	4.80	0.75	3.50	6.300	11.100	8.300	5/16	Cottage Green / Caulfield Green	08101625C4CG

Size	Thread Pitch (TPI)	Thread Type	Product Diameter (D) (mm)		Head Diameter (A) (mm)		Head Height (H) (mm)	Drill Point Length (P) (mm)	Min To Max Steel Thickness (mm)		Single Shear (kN)	Axial Tensile (kN)	Torsional (Nm)	Driver Bit Size (AS) (inches)	Colour	sku (Part Number)
			Min	Max	Min	Max	Nom	Nom	Min	Max	Nom	Nom	Nom			
10g (4.80mm)	-	-	-	-	11.10	11.40	4.75	4.80	0.75	3.50	6.300	11.100	8.300	5/16	Cove / River Reed	08101616C4CO
10g (4.80mm)	16 TPI	Coarse	4.65	4.80	11.10	11.40	4.75	4.80	0.75	3.50	6.300	11.100	8.300	5/16	Deep Ocean / Mountain Blue	08101616C4DO
10g (4.80mm)	16 TPI	Coarse	4.65	4.80	11.10	11.40	4.75	4.80	0.75	3.50	6.300	11.100	8.300	5/16	Deep Ocean / Mountain Blue	08101625C4DO
10g (4.80mm)	16 TPI	Coarse	4.65	4.80	11.10	11.40	4.75	4.80	0.75	3.50	6.300	11.100	8.300	5/16	Dover White	08101616C4DW
10g (4.80mm)	16 TPI	Coarse	4.65	4.80	11.10	11.40	4.75	4.80	0.75	3.50	6.300	11.100	8.300	5/16	Dune / Birch / Grey	08101616C4DU
10g (4.80mm)	16 TPI	Coarse	4.65	4.80	11.10	11.40	4.75	4.80	0.75	3.50	6.300	11.100	8.300	5/16	Dune / Birch / Grey	08101625C4DU
10g (4.80mm)	16 TPI	Coarse	4.65	4.80	11.10	11.40	4.75	4.80	0.75	3.50	6.300	11.100	8.300	5/16	Evening Haze / Moss Vale Sand	08101616C4EH
10g (4.80mm)	16 TPI	Coarse	4.65	4.80	11.10	11.40	4.75	4.80	0.75	3.50	6.300	11.100	8.300	5/16	Evening Haze / Moss Vale Sand	08101625C4EH
10g (4.80mm)	16 TPI	Coarse	4.65	4.80	11.10	11.40	4.75	4.80	0.75	3.50	6.300	11.100	8.300	5/16	Gully / Driftwood	08101616C4GU
10g (4.80mm)	16 TPI	Coarse	4.65	4.80	11.10	11.40	4.75	4.80	0.75	3.50	6.300	11.100	8.300	5/16	Gully / Driftwood	08101625C4GU
10g (4.80mm)	16 TPI	Coarse	4.65	4.80	11.10	11.40	4.75	4.80	0.75	3.50	6.300	11.100	8.300	5/16	Ironstone / Grey Rock	08101616C4IS
10g (4.80mm)	16 TPI	Coarse	4.65	4.80	11.10	11.40	4.75	4.80	0.75	3.50	6.300	11.100	8.300	5/16	Ironstone / Grey Rock	08101625C4IS
10g (4.80mm)	16 TPI	Coarse	4.65	4.80	11.10	11.40	4.75	4.80	0.75	3.50	6.300	11.100	8.300	5/16	Jasper / Taupe / Mocca	08101616C4JA
10g (4.80mm)	16 TPI	Coarse	4.65	4.80	11.10	11.40	4.75	4.80	0.75	3.50	6.300	11.100	8.300	5/16	Jasper / Taupe / Mocca	08101625C4JA
10g (4.80mm)	16 TPI	Coarse	4.65	4.80	11.10	11.40	4.75	4.80	0.75	3.50	6.300	11.100	8.300	5/16	Loft / Cardinal	08101616C4LO
10g (4.80mm)	16 TPI	Coarse	4.65	4.80	11.10	11.40	4.75	4.80	0.75	3.50	6.300	11.100	8.300	5/16	Mangrove / Wild Sage	08101616C4MA

Size	Thread Pitch (TPI)	Thread Type	Product Diameter (D) (mm)		Head Diameter (A) (mm)		Head Height (H) (mm)	Drill Point Length (P) (mm)	Min To Max Steel Thickness (mm)		Single Shear (kN)	Axial Tensile (kN)	Torsional (Nm)	Driver Bit Size (AS) (inches)	Colour	sku (Part Number)
			Min	Max	Min	Max	Nom	Nom	Min	Max	Nom	Nom	Nom			
10g (4.80mm)	16 TPI	Coarse	4.65	4.80	11.10	11.40	4.75	4.80	0.75	3.50	6.300	11.100	8.300	5/16	Manor Red / Heritage Red	08101616C4MR
10g (4.80mm)	16 TPI	Coarse	4.65	4.80	11.10	11.40	4.75	4.80	0.75	3.50	6.300	11.100	8.300	5/16	Monument / Thunder / Charcoal	08101616C4MO
10g (4.80mm)	16 TPI	Coarse	4.65	4.80	11.10	11.40	4.75	4.80	0.75	3.50	6.300	11.100	8.300	5/16	Monument / Thunder / Charcoal	08101625C4MO
10g (4.80mm)	16 TPI	Coarse	4.65	4.80	11.10	11.40	4.75	4.80	0.75	3.50	6.300	11.100	8.300	5/16	Pale Eucalypt / Mist Green	08101616C4PE
10g (4.80mm)	16 TPI	Coarse	4.65	4.80	11.10	11.40	4.75	4.80	0.75	3.50	6.300	11.100	8.300	5/16	Pale Eucalypt / Mist Green	08101625C4PE
10g (4.80mm)	16 TPI	Coarse	4.65	4.80	11.10	11.40	4.75	4.80	0.75	3.50	6.300	11.100	8.300	5/16	Paperbark / Beige / Merino	08101616C4PA
10g (4.80mm)	16 TPI	Coarse	4.65	4.80	11.10	11.40	4.75	4.80	0.75	3.50	6.300	11.100	8.300	5/16	Paperbark / Beige / Merino	08101625C4PA
10g (4.80mm)	16 TPI	Coarse	4.65	4.80	11.10	11.40	4.75	4.80	0.75	3.50	6.300	11.100	8.300	5/16	Shale Grey / Gull Grey	08101616C4SG
10g (4.80mm)	16 TPI	Coarse	4.65	4.80	11.10	11.40	4.75	4.80	0.75	3.50	6.300	11.100	8.300	5/16	Shale Grey / Gull Grey	08101625C4SG
10g (4.80mm)	16 TPI	Coarse	4.65	4.80	11.10	11.40	4.75	4.80	0.75	3.50	6.300	11.100	8.300	5/16	Surfmist / Off White / Titanium	08101616C4SU
10g (4.80mm)	16 TPI	Coarse	4.65	4.80	11.10	11.40	4.75	4.80	0.75	3.50	6.300	11.100	8.300	5/16	Surfmist / Off White / Titanium	08101625C4SU
10g (4.80mm)	16 TPI	Coarse	4.65	4.80	11.10	11.40	4.75	4.80	0.75	3.50	6.300	11.100	8.300	5/16	Terrain	08101616C4TE
10g (4.80mm)	16 TPI	Coarse	4.65	4.80	11.10	11.40	4.75	4.80	0.75	3.50	6.300	11.100	8.300	5/16	Wallaby / Cobblestone	08101616C4WA
10g (4.80mm)	16 TPI	Coarse	4.65	4.80	11.10	11.40	4.75	4.80	0.75	3.50	6.300	11.100	8.300	5/16	Wilderness / Rivergum	08101616C4WI
10g (4.80mm)	16 TPI	Coarse	4.65	4.80	11.10	11.40	4.75	4.80	0.75	3.50	6.300	11.100	8.300	5/16	Wilderness / Rivergum	08101625C4WI
10g (4.80mm)	16 TPI	Coarse	4.65	4.80	11.10	11.40	4.75	4.80	0.75	3.50	6.300	11.100	8.300	5/16	Windspray / Dark Grey / Armour Grey	08101616C4WS

Size	Thread Pitch (TPI)	Thread Type	Product Diameter (D) (mm)		Head Diameter (A) (mm)		Head Height (H) (mm)	Drill Point Length (P) (mm)	Min To Max Steel Thickness (mm)		Single Shear (kN)	Axial Tensile (kN)	Torsional (Nm)	Driver Bit Size (AS) (inches)	Colour	sku (Part Number)
			Min	Max	Min	Max	Nom	Nom	Min	Max	Nom	Nom	Nom			
10g (4.80mm)	16 TPI	Coarse	4.65	4.80	11.10	11.40	4.75	4.80	0.75	3.50	6.300	11.100	8.300	5/16	Windspray / Dark Grey / Armour Grey	08101625C4WS
10g (4.80mm)	16 TPI	Coarse	4.65	4.80	11.10	11.40	4.75	4.80	0.75	3.50	6.300	11.100	8.300	5/16	Woodland Grey / Pewter / Slate Grey	08101616C4WG
10g (4.80mm)	16 TPI	Coarse	4.65	4.80	11.10	11.40	4.75	4.80	0.75	3.50	6.300	11.100	8.300	5/16	Woodland Grey / Pewter / Slate Grey	08101625C4WG
12g (5.50mm)	14 TPI	Coarse	5.30	5.40	14.10	14.40	5.85	6.60	1.00	5.00	8.400	14.400	13.100	5/16	Basalt / Granite	08121420C4BA
12g (5.50mm)	14 TPI	Coarse	5.30	5.40	14.10	14.40	5.85	6.60	1.00	5.00	8.400	14.400	13.100	5/16	Night Sky / Ebony / Black / Jet Black	08121420C4NS
12g (5.50mm)	14 TPI	Coarse	5.30	5.40	14.10	14.40	5.85	6.60	1.00	5.00	8.400	14.400	13.100	5/16	Classic Cream / Smooth Cream / Ivory	08121420C4CC
12g (5.50mm)	14 TPI	Coarse	5.30	5.40	14.10	14.40	5.85	6.60	1.00	5.00	8.400	14.400	13.100	5/16	Cottage Green / Caulfield Green	08121420C4CG
12g (5.50mm)	14 TPI	Coarse	5.30	5.40	14.10	14.40	5.85	6.60	1.00	5.00	8.400	14.400	13.100	5/16	Deep Ocean / Mountain Blue	08121420C4DO
12g (5.50mm)	14 TPI	Coarse	5.30	5.40	14.10	14.40	5.85	6.60	1.00	5.00	8.400	14.400	13.100	5/16	Dover White	08121420C4DW
12g (5.50mm)	14 TPI	Coarse	5.30	5.40	14.10	14.40	5.85	6.60	1.00	5.00	8.400	14.400	13.100	5/16	Dune / Birch / Grey	08121420C4DU
12g (5.50mm)	14 TPI	Coarse	5.30	5.40	14.10	14.40	5.85	6.60	1.00	5.00	8.400	14.400	13.100	5/16	Evening Haze / Moss Vale Sand	08121420C4EH
12g (5.50mm)	14 TPI	Coarse	5.30	5.40	14.10	14.40	5.85	6.60	1.00	5.00	8.400	14.400	13.100	5/16	Gully / Driftwood	08121420C4GU
12g (5.50mm)	14 TPI	Coarse	5.30	5.40	14.10	14.40	5.85	6.60	1.00	5.00	8.400	14.400	13.100	5/16	Ironstone / Grey Rock	08121420C4IS
12g (5.50mm)	14 TPI	Coarse	5.30	5.40	14.10	14.40	5.85	6.60	1.00	5.00	8.400	14.400	13.100	5/16	Manor Red / Heritage Red	08121420C4MR
12g (5.50mm)	14 TPI	Coarse	5.30	5.40	14.10	14.40	5.85	6.60	1.00	5.00	8.400	14.400	13.100	5/16	Monument / Thunder / Charcoal	08121420C4MO
12g (5.50mm)	14 TPI	Coarse	5.30	5.40	14.10	14.40	5.85	6.60	1.00	5.00	8.400	14.400	13.100	5/16	Pale Eucalypt / Mist Green	08121420C4PE

Size	Thread Pitch (TPI)	Thread Type	Product Diameter (D) (mm)		Head Diameter (A) (mm)		Head Height (H) (mm)	Drill Point Length (P) (mm)	Min To Max Steel Thickness (mm)		Single Shear (kN)	Axial Tensile (kN)	Torsional (Nm)	Driver Bit Size (AS) (inches)	Colour	sku (Part Number)
			Min	Max	Min	Max	Nom	Nom	Min	Max	Nom	Nom	Nom			
12g (5.50mm)	14 TPI	Coarse	5.30	5.40	14.10	14.40	5.85	6.60	1.00	5.00	8.400	14.400	13.100	5/16	Paperbark / Beige / Merino	08121420C4PA
12g (5.50mm)	14 TPI	Coarse	5.30	5.40	14.10	14.40	5.85	6.60	1.00	5.00	8.400	14.400	13.100	5/16	Shale Grey / Gull Grey	08121420C4SG
12g (5.50mm)	14 TPI	Coarse	5.30	5.40	14.10	14.40	5.85	6.60	1.00	5.00	8.400	14.400	13.100	5/16	Surfmist / Off White / Titanium	08121420C4SU
12g (5.50mm)	14 TPI	Coarse	5.30	5.40	14.10	14.40	5.85	6.60	1.00	5.00	8.400	14.400	13.100	5/16	Wallaby / Cobblestone	08121420C4WA
12g (5.50mm)	14 TPI	Coarse	5.30	5.40	14.10	14.40	5.85	6.60	1.00	5.00	8.400	14.400	13.100	5/16	Wilderness / Rivergum	08121420C4WI
12g (5.50mm)	14 TPI	Coarse	5.30	5.40	14.10	14.40	5.85	6.60	1.00	5.00	8.400	14.400	13.100	5/16	Windspray / Dark Grey / Armour Grey	08121420C4WS
12g (5.50mm)	14 TPI	Coarse	5.30	5.40	14.10	14.40	5.85	6.60	1.00	5.00	8.400	14.400	13.100	5/16	Woodland Grey / Pewter / Slate Grey	08121420C4WG

Disclaimer:

Dimensional data and technical information was obtained from publically available sources and not acquired through standard agencies. It has been completed and compiled for reference purposes only; where discrepancies are found they are subject to change without notice. Bolt & Nut Australia makes no warranties or representations regarding the accuracy and validity of the compiled information and data. Contact the relevant standard authorities for accurate and detailed information.

© Bolt & Nut Australia Pty Ltd. All rights reserved.

Version: 17 Mar 2026