

Disclaimer: Images are for illustrative purposes.

Top Grip Roofing Timber Screw

Head Style: Hex Flange Head

Drive Type: Hex

Neo: Yes

Screw Point: Type 17 for Timber

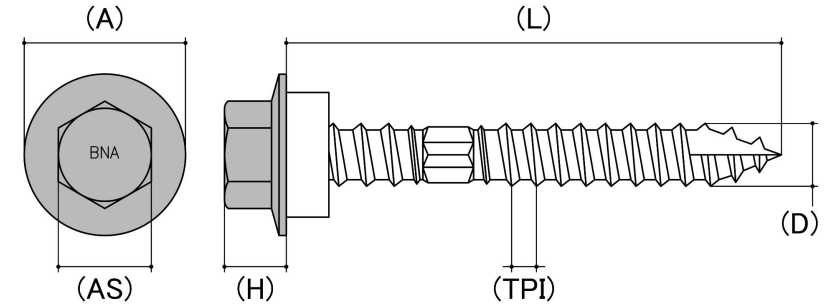
Material: Hardened Steel

Class Grade: Class 4 / B8® Cat 5

Finish: Galvanised

Corrosion Protection Level: Excellent

Internal External: External



Size	Thread Pitch (TPI)	Thread Type	Product Diameter (D) (mm)		Head Diameter (A) (mm)		Head Height (H) (mm)	Single Shear (kN)	Axial Tensile (kN)	Torsional (Nm)	Driver Bit Size (AS) (inches)	Colour	sku (Part Number)
			Min	Max	Min	Max	Nom	Nom	Nom	Nom			
12g (5.50mm)	11 TPI	Coarse	5.30	5.40	14.10	14.40	6.60	9.400	15.600	13.300	5/16	Basalt / Granite	06121150C4NTGBA
12g (5.50mm)	11 TPI	Coarse	5.30	5.40	14.10	14.40	6.60	9.400	15.600	13.300	5/16	Classic Cream / Smooth Cream / Ivory	06121150C4NTGCC
12g (5.50mm)	11 TPI	Coarse	5.30	5.40	14.10	14.40	6.60	9.400	15.600	13.300	5/16	Cottage Green / Caulfield Green	06121150C4NTGCG
12g (5.50mm)	11 TPI	Coarse	5.30	5.40	14.10	14.40	6.60	9.400	15.600	13.300	5/16	Deep Ocean / Mountain Blue	06121150C4NTGDO
12g (5.50mm)	11 TPI	Coarse	5.30	5.40	14.10	14.40	6.60	9.400	15.600	13.300	5/16	Dover White	06121150C4NTGDW
12g (5.50mm)	11 TPI	Coarse	5.30	5.40	14.10	14.40	6.60	9.400	15.600	13.300	5/16	Evening Haze / Moss Vale Sand	06121150C4NTGEH
12g (5.50mm)	11 TPI	Coarse	5.30	5.40	14.10	14.40	6.60	9.400	15.600	13.300	5/16	Ironstone / Grey Rock	06121150C4NTGIS
12g (5.50mm)	11 TPI	Coarse	5.30	5.40	14.10	14.40	6.60	9.400	15.600	13.300	5/16	Jasper / Taupe / Mocca	06121150C4NTGJA
12g (5.50mm)	11 TPI	Coarse	5.30	5.40	14.10	14.40	6.60	9.400	15.600	13.300	5/16	Manor Red / Heritage Red	06121150C4NTGMR

Size	Thread Pitch (TPI)	Thread Type	Product Diameter (D) (mm)		Head Diameter (A) (mm)		Head Height (H) (mm)	Single Shear (kN)	Axial Tensile (kN)	Torsional (Nm)	Driver Bit Size (AS) (inches)	Colour	sku (Part Number)
			Min	Max	Min	Max	Nom	Nom	Nom	Nom			
12g (5.50mm)	11 TPI	Coarse	5.30	5.40	14.10	14.40	6.60	9.400	15.600	13.300	5/16	Monument / Thunder / Charcoal	06121150C4NTGMO
12g (5.50mm)	11 TPI	Coarse	5.30	5.40	14.10	14.40	6.60	9.400	15.600	13.300	5/16	Night Sky / Ebony / Black / Jet Black	06121150C4NTGNS
12g (5.50mm)	11 TPI	Coarse	5.30	5.40	14.10	14.40	6.60	9.400	15.600	13.300	5/16	Pale Eucalypt / Mist Green	06121150C4NTGPE
12g (5.50mm)	11 TPI	Coarse	5.30	5.40	14.10	14.40	6.60	9.400	15.600	13.300	5/16	Paperbark / Beige / Merino	06121150C4NTGPA
12g (5.50mm)	11 TPI	Coarse	5.30	5.40	14.10	14.40	6.60	9.400	15.600	13.300	5/16	Shale Grey / Gull Grey	06121150C4NTGSG
12g (5.50mm)	11 TPI	Coarse	5.30	5.40	14.10	14.40	6.60	9.400	15.600	13.300	5/16	Surfmist / Off White / Titanium	06121150C4NTGSU
12g (5.50mm)	11 TPI	Coarse	5.30	5.40	14.10	14.40	6.60	9.400	15.600	13.300	5/16	Wallaby / Cobblestone	06121150C4NTGWA
12g (5.50mm)	11 TPI	Coarse	5.30	5.40	14.10	14.40	6.60	9.400	15.600	13.300	5/16	Wilderness / Rivergum	06121150C4NTGWI
12g (5.50mm)	11 TPI	Coarse	5.30	5.40	14.10	14.40	6.60	9.400	15.600	13.300	5/16	Windspray / Dark Grey / Armour Grey	06121150C4NTGWS
12g (5.50mm)	11 TPI	Coarse	5.30	5.40	14.10	14.40	6.60	9.400	15.600	13.300	5/16	Woodland Grey / Pewter / Slate Grey	06121150C4NTGWG
12g (5.50mm)	11 TPI	Coarse	5.30	5.40	14.10	14.40	6.60	9.400	15.600	13.300	5/16	Basalt / Granite	06121165C4NTGBA
12g (5.50mm)	11 TPI	Coarse	5.30	5.40	14.10	14.40	6.60	9.400	15.600	13.300	5/16	Classic Cream / Smooth Cream / Ivory	06121165C4NTGCC
12g (5.50mm)	11 TPI	Coarse	5.30	5.40	14.10	14.40	6.60	9.400	15.600	13.300	5/16	Cottage Green / Caulfield Green	06121165C4NTGCG
12g (5.50mm)	11 TPI	Coarse	5.30	5.40	14.10	14.40	6.60	9.400	15.600	13.300	5/16	Deep Ocean / Mountain Blue	06121165C4NTGDO
12g (5.50mm)	11 TPI	Coarse	5.30	5.40	14.10	14.40	6.60	9.400	15.600	13.300	5/16	Dover White	06121165C4NTGDW
12g (5.50mm)	11 TPI	Coarse	5.30	5.40	14.10	14.40	6.60	9.400	15.600	13.300	5/16	Ironstone / Grey Rock	06121165C4NTGIS
12g (5.50mm)	11 TPI	Coarse	5.30	5.40	14.10	14.40	6.60	9.400	15.600	13.300	5/16	Jasper / Taupe / Mocca	06121165C4NTGJA

Size	Thread Pitch (TPI)	Thread Type	Product Diameter (D) (mm)		Head Diameter (A) (mm)		Head Height (H) (mm)	Single Shear (kN)	Axial Tensile (kN)	Torsional (Nm)	Driver Bit Size (AS) (inches)	Colour	sku (Part Number)
			Min	Max	Min	Max	Nom	Nom	Nom	Nom			
12g (5.50mm)	11 TPI	Coarse	5.30	5.40	14.10	14.40	6.60	9.400	15.600	13.300	5/16	Manor Red / Heritage Red	06121165C4NTGMR
12g (5.50mm)	11 TPI	Coarse	5.30	5.40	14.10	14.40	6.60	9.400	15.600	13.300	5/16	Monument / Thunder / Charcoal	06121165C4NTGMO
12g (5.50mm)	11 TPI	Coarse	5.30	5.40	14.10	14.40	6.60	9.400	15.600	13.300	5/16	Night Sky / Ebony / Black / Jet Black	06121165C4NTGNS
12g (5.50mm)	11 TPI	Coarse	5.30	5.40	14.10	14.40	6.60	9.400	15.600	13.300	5/16	Pale Eucalypt / Mist Green	06121165C4NTGPE
12g (5.50mm)	11 TPI	Coarse	5.30	5.40	14.10	14.40	6.60	9.400	15.600	13.300	5/16	Paperbark / Beige / Merino	06121165C4NTGPA
12g (5.50mm)	11 TPI	Coarse	5.30	5.40	14.10	14.40	6.60	9.400	15.600	13.300	5/16	Shale Grey / Gull Grey	06121165C4NTGSG
12g (5.50mm)	11 TPI	Coarse	5.30	5.40	14.10	14.40	6.60	9.400	15.600	13.300	5/16	Surfmist / Off White / Titanium	06121165C4NTGSU
12g (5.50mm)	11 TPI	Coarse	5.30	5.40	14.10	14.40	6.60	9.400	15.600	13.300	5/16	Wilderness / Rivergum	06121165C4NTGWI
12g (5.50mm)	11 TPI	Coarse	5.30	5.40	14.10	14.40	6.60	9.400	15.600	13.300	5/16	Windspray / Dark Grey / Armour Grey	06121165C4NTGWS
12g (5.50mm)	11 TPI	Coarse	5.30	5.40	14.10	14.40	6.60	9.400	15.600	13.300	5/16	Woodland Grey / Pewter / Slate Grey	06121165C4NTGWG

Disclaimer:

Dimensional data and technical information was obtained from publically available sources and not acquired through standard agencies. It has been completed and compiled for reference purposes only; where discrepancies are found they are subject to change without notice. Bolt & Nut Australia makes no warranties or representations regarding the accuracy and validity of the compiled information and data. Contact the relevant standard authorities for accurate and detailed information.

© Bolt & Nut Australia Pty Ltd. All rights reserved.

Version: 17 Mar 2026