

Disclaimer: Images are for illustrative purposes.

Plasterboard Plugs

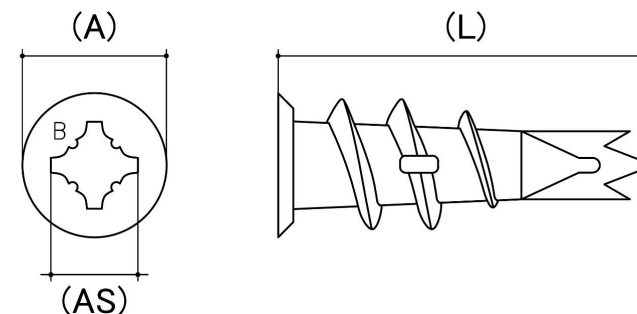
Head Style: Countersunk Head

Material: Zinc Alloy

Material Finish: Zinc Alloy

Corrosion Protection Level: Moderate

Internal External: Internal



Size	Length (L) (mm)	Head Diameter (A) (mm)	To Suit Screw Sizes	Plasterboard Thickness (mm)	Weight Limit	sku (Part Number)
				Nom		
8g (4.20mm)	31	12.94	6g,8g	10	10kg	66WM831
8g (4.20mm)	43	12.94	8g	10	10kg	66WM843

Disclaimer:

Dimensional data and technical information was obtained from publically available sources and not acquired through standard agencies. It has been completed and compiled for reference purposes only; where discrepancies are found they are subject to change without notice. Bolt & Nut Australia makes no warranties or representations regarding the accuracy and validity of the compiled information and data. Contact the relevant standard authorities for accurate and detailed information.

© Bolt & Nut Australia Pty Ltd. All rights reserved.

Version: 17 Mar 2026