

*Disclaimer: Images are for illustrative purposes.*

## Large Flange Head Plus Nut

**Body Type:** Round Open

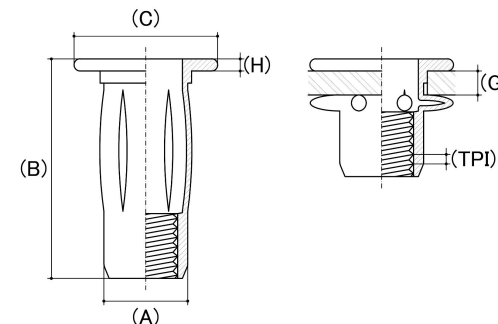
**Outside Body:** Smooth

**Thread Type:** Metric - Coarse

**Body Material:** Steel to BS 970 040A04

**Finish:** Zinc Plated

**Corrosion Protection Level:** Moderate



Size	Thread Pitch (mm)	Thread Type	Material Grip Range (G) (mm)		Overall Nut Height (B) (mm)	Head Diameter (C) (mm)	Nut Width (A) (mm)	Flange Thickness (H) (mm)	Recommended Hole Size (mm)	Pull Out (KN)	Push Out (KN)	Torque To Turn (NM)	sku (Part Number)
			Min	Max	Nom	Nom	Nom	Nom					
M5	0.80mm	Coarse	0.50	4.45	22.00	12.70	7.50	1.00	7.50	-	-	-	43PN5
M5	0.80mm	Coarse	4.45	8.10	24.80	12.70	7.50	1.00	7.50	-	-	-	43PN52
M6	1.00mm	Coarse	0.50	7.10	26.90	15.90	8.80	1.50	10.00	12	5	22	43PN6
M6	1.00mm	Coarse	7.10	12.70	32.80	15.90	8.80	1.50	10.00	12	5	22	43PN62
M8	1.25mm	Coarse	0.50	7.10	30.50	19.00	11.10	1.60	12.70	19	9	42	43PN8
M8	1.25mm	Coarse	7.10	12.70	36.50	19.00	11.10	1.60	12.70	19	9	42	43PN82
M10	1.50mm	Coarse	0.50	7.10	33.10	22.30	15.00	2.20	15.10	30	30	60	43PN10

**Disclaimer:**

Dimensional data and technical information was obtained from publically available sources and not acquired through standard agencies. It has been completed and compiled for reference purposes only; where discrepancies are found they are subject to change without notice. Bolt & Nut Australia makes no warranties or representations regarding the accuracy and validity of the compiled information and data. Contact the relevant standard authorities for accurate and detailed information.

© Bolt & Nut Australia Pty Ltd. All rights reserved.

Version: 17 Mar 2026