

*Disclaimer: Images are for illustrative purposes.*

## Large Flange Head Rubber Nut

**Body Type:** Round Open

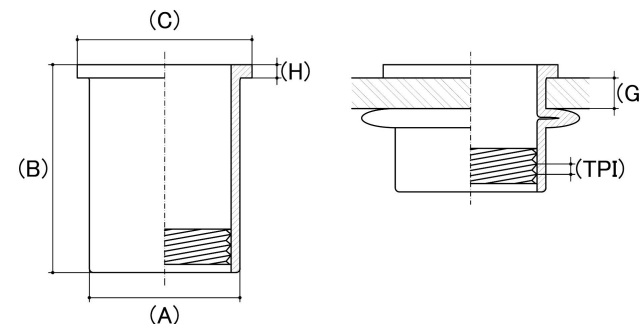
**Outside Body:** Smooth

**Thread Type:** Metric - Coarse

**Body Material:** Thermoplastic EPDM

**Finish:** Black Rubber

**Corrosion Protection Level:** Excellent



Size	Thread Pitch (mm)	Thread Type	Material Grip Range (G) (mm)		Overall Nut Height (B) (mm)	Head Diameter (C) (mm)	Nut Width (A) (mm)	Flange Thickness (H) (mm)	Recommended Hole Size (mm)	sku (Part Number)
			Min	Max	Nom	Nom	Nom	Nom		
M3	0.50mm	Coarse	0.40	4.00	12.60	11.00	7.50	1.40	8.00	43RN31260
M3	0.50mm	Coarse	9.50	13.00	24.90	14.00	5.70	0.90	6.20	43RN32490
M4	0.70mm	Coarse	0.40	4.00	12.60	11.00	7.70	1.40	8.00	43RN41260
M4	0.70mm	Coarse	0.40	4.00	14.20	19.10	7.70	1.50	8.00	43RN41420
M4	0.70mm	Coarse	8.50	15.00	24.00	11.00	7.70	1.20	8.00	43RN424
M5	0.80mm	Coarse	0.40	4.90	14.10	12.70	9.30	0.90	9.70	43RN51410
M5	0.80mm	Coarse	7.90	16.00	26.50	14.00	9.30	1.30	9.70	43RN52650
M6	1.00mm	Coarse	0.40	2.80	16.00	16.00	12.30	1.30	12.80	43RN616
M6	1.00mm	Coarse	0.80	4.70	21.10	19.00	12.30	4.75	12.80	43RN62110
M6	1.00mm	Coarse	6.40	11.50	26.70	16.30	12.30	2.00	12.80	43RN62670
M6	1.00mm	Coarse	11.50	23.00	35.00	16.00	12.50	1.30	13.10	43RN635
M8	1.25mm	Coarse	0.40	4.00	18.30	21.50	15.70	3.20	16.00	43RN81830
M8	1.25mm	Coarse	2.00	18.00	30.00	20.50	17.70	2.00	18.10	43RN830
M8	1.25mm	Coarse	15.00	39.00	50.00	20.00	17.70	1.60	18.10	43RN850
M10	1.50mm	Coarse	19.00	40.00	55.00	22.50	19.60	1.30	20.10	43RN1055

Size	Thread Pitch (mm)	Thread Type	Material Grip Range (G) (mm)		Overall Nut Height (B) (mm)	Head Diameter (C) (mm)	Nut Width (A) (mm)	Flange Thickness (H) (mm)	Recommended Hole Size (mm)	sku (Part Number)
			Min	Max	Nom	Nom	Nom	Nom		
M12	1.75mm	Coarse	38.00	64.00	78.00	27.00	23.50	1.30	24.10	43RN1278

**Disclaimer:**

Dimensional data and technical information was obtained from publically available sources and not acquired through standard agencies. It has been completed and compiled for reference purposes only; where discrepancies are found they are subject to change without notice. Bolt & Nut Australia makes no warranties or representations regarding the accuracy and validity of the compiled information and data. Contact the relevant standard authorities for accurate and detailed information.

© Bolt & Nut Australia Pty Ltd. All rights reserved.

Version: 17 Mar 2026