

Serrated Conical Spring Washer Type M

Material: Stainless Steel

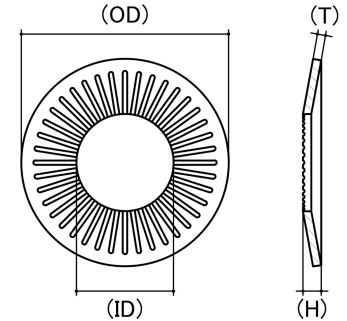
Class Grade: A2-70 G304

Corrosion Protection Level: Excellent

Standard: NF E 25-511 Form / Type M

System Of Measurement: Metric

Comments: Washers are not precision items. Dimensional data should be used as a guide only.



*Cad Drawings shown for graphic representation only.**

Industry Size	Inside Dimension (ID) (mm)		Outside Dimension (OD) (mm)		Thickness (T) (mm)		Unloaded Washer Height (H) (mm)		sku (Part Number)
	Min	Max	Min	Max	Min	Max	Min	Max	
M3 x 8 x 0.6	3.10	3.40	7.80	8.00	0.50	0.60	1.05	1.10	71CSPSS38
M4 x 10 x 0.9	4.10	4.50	9.80	10.00	0.90	1.00	1.45	1.50	71CSPSS410
M5 x 12 x 1.1	5.10	5.50	11.80	12.00	1.10	1.20	1.55	1.60	71CSPSS512
M6 x 14 x 1.3	6.10	6.70	13.80	14.00	1.15	1.30	2.00	2.20	71CSPSS614
M8 x 18 x 1.4	8.00	8.50	17.80	18.00	1.35	1.50	2.00	2.20	71CSPSS818
M10 x 22 x 1.6	10.20	10.75	21.80	22.00	1.50	1.70	2.20	2.40	71CSPSS1022
M12 x 27 x 1.8	12.20	13.00	26.80	27.00	1.60	1.80	2.70	2.90	71CSPSS1227
M14 x 30 x 2.4	14.30	15.00	29.70	30.00	2.20	2.40	3.20	3.40	71CSPSS1430
M16 x 32 x 2.8	16.20	17.00	31.70	32.00	2.65	2.85	3.60	4.00	71CSPSS1632
M20 x 40 x 3.2	20.90	21.00	39.70	40.00	3.10	3.30	4.50	4.70	71CSPSS2040

Disclaimer:

Dimensional data and technical information was obtained from publicly available sources and not acquired through standard agencies. It has been completed and compiled for reference purposes only; where discrepancies are found they are subject to change without notice. Bolt & Nut Australia makes no warranties or representations regarding the accuracy and validity of the compiled information and data. Contact the relevant standard authorities for accurate and detailed information.

* Cad Drawings may not reflect diameter, thread length or overall length.

© Bolt & Nut Australia Pty Ltd. All rights reserved.

Version: 15 Aug 2024