

*Disclaimer: Images are for illustrative purposes.*

## Slab Tee Nut

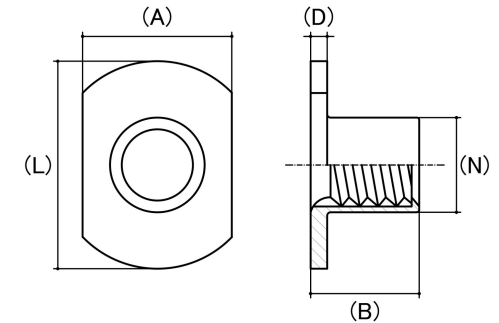
**Thread Type:** Metric - Coarse

**Thread Direction:** Right Hand

**Material:** Stainless Steel

**Class Grade:** A2-70 G304

**Corrosion Protection Level:** Excellent



Size	Thread Pitch (mm)	Thread Type	Overall Nut Height (B) (mm)	Nut Length (L) (mm)	Flange Thickness (D) (mm)	Nut Width (A) (mm)	Barrel Length (L) (mm)	Body Diameter (N) (mm)	sku (Part Number)
			Nom	Nom	Nom	Nom	Nom	Nom	
M4	0.70mm	Coarse	6.22	17.00	0.80	9.00	5.45	5.20	41TSS4
M5	0.80mm	Coarse	7.40	19.00	1.10	11.00	6.45	6.37	41TSS5
M6	1.00mm	Coarse	8.60	22.00	1.20	14.00	7.00	7.54	41TSS6
M8	1.25mm	Coarse	8.70	22.00	1.60	14.00	7.10	9.60	41TSS822
M8	1.25mm	Coarse	11.15	26.00	1.60	18.00	9.45	9.75	41TSS8
M10	1.50mm	Coarse	10.78	25.00	2.10	17.60	8.36	11.22	41TSS10

**Disclaimer:**

Dimensional data and technical information was obtained from publically available sources and not acquired through standard agencies. It has been completed and compiled for reference purposes only; where discrepancies are found they are subject to change without notice. Bolt & Nut Australia makes no warranties or representations regarding the accuracy and validity of the compiled information and data. Contact the relevant standard authorities for accurate and detailed information.

© Bolt & Nut Australia Pty Ltd. All rights reserved.

Version: 17 Mar 2026