

*Disclaimer: Images are for illustrative purposes.*

## Slotted Hex Nut

**Thread Type:** Metric - Fine

**Thread Direction:** Right Hand

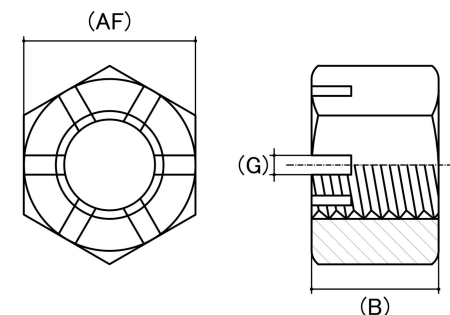
**Material:** Carbon Steel

**Class Grade:** Low Tensile Class 5

**Finish:** Zinc Plated

**Corrosion Protection Level:** Moderate

**Standard:** DIN 935



Size	Thread Pitch (mm)	Thread Type	Overall Nut Height (B) (mm)		Groove Width (W) (mm)	Groove Height (H) (mm)	Across Flats (AF) (mm)		Spanner Size (AF) (mm)	sku (Part Number)
			Min	Max	Nom	Nom	Min	Max		
M8	1.00mm	Fine	9.14	9.50	2.80	2.50	12.73	13.00	13mm	41SLMF8100
M10	1.25mm	Fine	11.57	12.00	2.90	4.05	15.73	16.00	16mm	41SLMF10125
M12	1.50mm	Fine	14.57	15.00	3.70	4.30	17.73	18.00	18mm	41SLMF12150
M16	1.50mm	Fine	18.48	19.00	4.50	6.00	23.67	24.00	24mm	41SLMF16150
M20	1.50mm	Fine	21.16	22.00	4.60	6.00	29.16	30.00	30mm	41SLMF20150
M24	2.00mm	Fine	26.16	27.00	5.65	8.40	35.16	36.00	36mm	41SLMF24200

**Disclaimer:**

Dimensional data and technical information was obtained from publically available sources and not acquired through standard agencies. It has been completed and compiled for reference purposes only; where discrepancies are found they are subject to change without notice. Bolt & Nut Australia makes no warranties or representations regarding the accuracy and validity of the compiled information and data. Contact the relevant standard authorities for accurate and detailed information.

© Bolt & Nut Australia Pty Ltd. All rights reserved.

Version: 17 Mar 2026