

*Disclaimer: Images are for illustrative purposes.*

## Socket Set (Grub) Screw

**Head Style:** No Head

**Drive Type:** Internal Hex

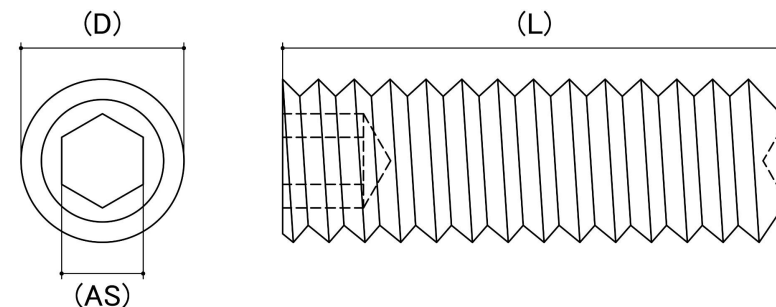
**Thread Type:** Metric - Coarse

**Material:** Stainless Steel

**Class Grade:** A2-70 G304

**Corrosion Protection Level:** Excellent

**Standard:** DIN 916



Size	Thread Pitch (mm)	Thread Type	Product Diameter (D) (mm)		Driver Bit Size (AS) (mm)	sku (Part Number)
			Min	Max		
M1.6	0.35mm	Coarse	1.49	1.58	0	31SES1.6
M2	0.40mm	Coarse	1.88	1.98	0	31SES2
M2.5	0.45mm	Coarse	2.38	2.48	1	31SES25
M3	0.50mm	Coarse	2.87	2.98	1	31SES3
M4	0.70mm	Coarse	3.83	3.97	2	31SES4
M5	0.80mm	Coarse	4.82	5.00	2	31SES5
M6	1.00mm	Coarse	5.82	6.00	3	31SES6
M8	1.25mm	Coarse	7.78	8.00	4	31SES8
M10	1.50mm	Coarse	9.78	10.00	5	31SES10
M12	1.75mm	Coarse	11.73	12.00	6	31SES12

**Disclaimer:**

Dimensional data and technical information was obtained from publicly available sources and not acquired through standard agencies. It has been completed and compiled for reference purposes only; where discrepancies are found they are subject to change without notice. Bolt & Nut Australia makes no warranties or representations regarding the accuracy and validity of the compiled information and data. Contact the relevant standard authorities for accurate and detailed information.

© Bolt & Nut Australia Pty Ltd. All rights reserved.

Version: 17 Mar 2026