

Disclaimer: Images are for illustrative purposes.

Socket Set (Grub) Screw

Head Style: No Head

Drive Type: Internal Hex

Thread Type: Metric - Fine

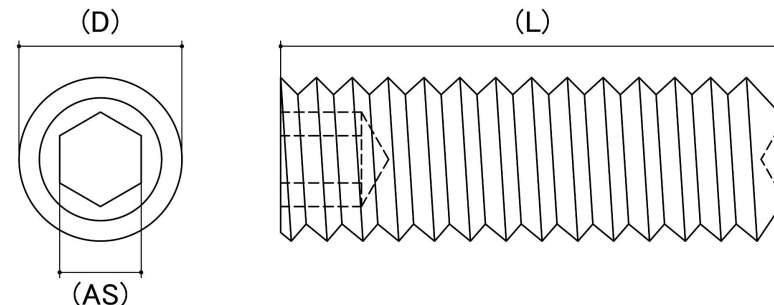
Material: Alloy Steel Heat Treated

Class Grade: High Tensile Class 14.9

Finish: Plain Black Uncoated

Corrosion Protection Level: Very Low

Standard: DIN 916



| Size | Thread Pitch (mm) | Thread Type | Product Diameter (D) (mm) | | Driver Bit Size (AS) (mm) | sku (Part Number) |
|------|-------------------|-------------|---------------------------|-------|---------------------------|-------------------|
| | | | Min | Max | | |
| M6 | 0.75mm | Fine | 5.82 | 6.00 | 3 | 31SEMF6075P |
| M8 | 1.00mm | Fine | 7.78 | 8.00 | 4 | 31SEMF8100P |
| M10 | 1.00mm | Fine | 9.78 | 10.00 | 5 | 31SEMF10100P |
| M10 | 1.25mm | Fine | 9.78 | 10.00 | 5 | 31SEMF10125P |
| M12 | 1.25mm | Fine | 11.73 | 12.00 | 6 | 31SEMF12125P |
| M12 | 1.50mm | Fine | 11.73 | 12.00 | 6 | 31SEMF12150P |
| M16 | 1.50mm | Fine | 15.73 | 16.00 | 8 | 31SEMF16P |

Disclaimer:

Dimensional data and technical information was obtained from publically available sources and not acquired through standard agencies. It has been completed and compiled for reference purposes only; where discrepancies are found they are subject to change without notice. Bolt & Nut Australia makes no warranties or representations regarding the accuracy and validity of the compiled information and data. Contact the relevant standard authorities for accurate and detailed information.

© Bolt & Nut Australia Pty Ltd. All rights reserved.

Version: 17 Mar 2026