

Disclaimer: Images are for illustrative purposes.

Socket Set (Grub) Screw

Head Style: No Head

Drive Type: Internal Hex

Thread Type: UNF - Fine

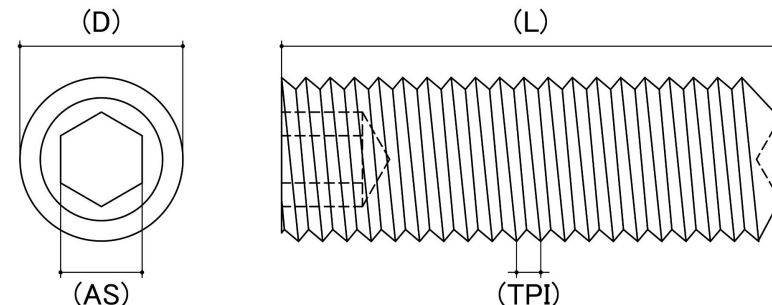
Material: Alloy Steel Heat Treated

Class Grade: High Tensile Grade 14.9

Finish: Plain Black Uncoated

Corrosion Protection Level: Very Low

Standard: ANSI B 18.3 ASTM A574



Size	Thread Pitch (TPI)	Thread Type	Product Diameter (D) (mm)		Driver Bit Size (AS) (inches)	sku (Part Number)
			Min	Max		
#0-80	80 TPI	Fine	1.43	1.50	0	31SEF080P
#1-72	72 TPI	Fine	1.72	1.83	0	31SEF172P
#4-48	48 TPI	Fine	2.69	2.82	0	31SEF448P
#5-44	44 TPI	Fine	3.03	3.18	1/16	31SEF544P
#6-40	40 TPI	Fine	3.33	3.48	1/16	31SEF640P
#8-36	36 TPI	Fine	3.99	4.15	5/64	31SEF836P
#10-32 (3/16")	32 TPI	Fine	4.60	4.81	3/32	31SEF1032P
1/4"	28 TPI	Fine	6.15	6.33	1/8	31SEF14P
5/16"	24 TPI	Fine	7.78	7.93	5/32	31SEF516P
3/8"	24 TPI	Fine	9.38	9.53	3/16	31SEF38P
7/16"	20 TPI	Fine	10.93	11.13	7/32	31SEF716P

Disclaimer:

Dimensional data and technical information was obtained from publically available sources and not acquired through standard agencies. It has been completed and compiled for reference purposes only; where discrepancies are found they are subject to change without notice. Bolt & Nut Australia makes no warranties or representations regarding the accuracy and validity of the compiled information and data. Contact the relevant standard authorities for accurate and detailed information.

© Bolt & Nut Australia Pty Ltd. All rights reserved.

Version: 17 Mar 2026