

Disclaimer: Images are for illustrative purposes.

Spring Toggle

Head Style: Hook

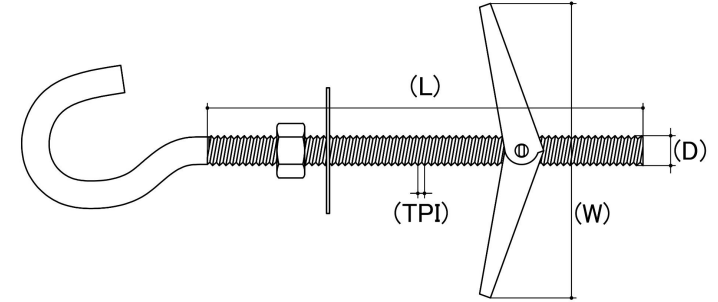
Material: Carbon Steel

Class Grade: Low Tensile Grade 2

Material Finish: Zinc Yellow Plated

Corrosion Protection Level: Moderate

Internal External: Internal



Size	Length (L) (mm)	Min Material Thick (mm)	Max Fast Thickness (G) (mm)	Toggle Width (W) (mm)	Drill Hole Size (mm)	sku (Part Number)
M5	50	8	42	50	14	65STCH550

Disclaimer:

Dimensional data and technical information was obtained from publically available sources and not acquired through standard agencies. It has been completed and compiled for reference purposes only; where discrepancies are found they are subject to change without notice. Bolt & Nut Australia makes no warranties or representations regarding the accuracy and validity of the compiled information and data. Contact the relevant standard authorities for accurate and detailed information.

© Bolt & Nut Australia Pty Ltd. All rights reserved.

Version: 17 Mar 2026