

## Flat Section Spring Washer

**Material:** Stainless Steel

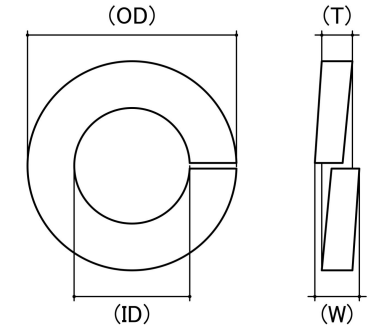
**Class Grade:** A2-70 G304

**Corrosion Protection Level:** Excellent

**Standard:** ANSI B18.21.1

**System Of Measurement:** Metric

**Comments:** Washers are not precision items. Dimensional data should be used as a guide only.



*Cad Drawings shown for graphic representation only.\**

Industry Size (mm)	Inside Dimension (ID) (mm)		Outside Dimension (OD) (mm)		Thickness (T) (mm)		Height (W) (mm)	sku (Part Number)
	Min	Max	Min	Max	Min	Max	Nom	
M1.6 (1.6mm)	1.65	1.90	3.00	3.30	0.40	0.60	0.80	71PS1.6
M2 (2mm)	2.10	2.40	3.90	4.40	0.45	0.60	0.95	71PS2
M2.5 (2.5mm)	2.60	2.90	4.80	5.10	0.55	0.65	1.00	71PS25
M3 (3mm)	3.10	3.40	5.80	6.20	0.70	0.90	1.50	71PS3
M3.5 (3.5mm)	3.60	3.90	6.10	6.70	0.65	0.85	1.35	71PS3.5
M4 (4mm)	4.10	4.50	7.10	7.60	0.80	1.00	1.70	71PS4
M5 (5mm)	5.10	5.50	8.70	9.20	1.10	1.30	2.30	71PS5
M6 (6mm)	6.10	6.70	11.20	12.00	1.50	1.70	2.90	71PS6
M8 (8mm)	8.00	8.50	14.20	15.00	1.90	2.10	3.70	71PS8
M10 (10mm)	10.20	10.75	17.30	18.00	2.10	2.30	4.45	71PS10
M12 (12mm)	12.20	13.00	20.20	21.00	2.40	2.60	4.40	71PSM12
M14 (14mm)	14.20	14.70	23.00	23.70	2.90	3.10	5.20	71PSM14
M16 (16mm)	16.20	17.00	26.30	27.00	3.40	3.60	6.65	71PS16
M18 (18mm)	18.20	18.60	28.30	29.00	3.40	3.60	7.20	71PSM18
M20 (20mm)	20.90	22.10	32.50	33.50	3.90	4.10	7.90	71PS20

Industry Size (mm)	Inside Dimension (ID) (mm)		Outside Dimension (OD) (mm)		Thickness (T) (mm)		Height (W) (mm)	sku (Part Number)
	Min	Max	Min	Max	Min	Max	Nom	
M22 (22mm)	22.30	24.00	33.80	36.00	4.00	4.20	11.30	71PS22
M24 (24mm)	24.50	26.50	38.50	40.00	4.90	5.10	9.50	71PS24
M27 (27mm)	27.50	29.50	42.00	43.00	5.00	5.20	9.35	71PS27
M30 (30mm)	32.00	33.00	47.00	48.00	5.90	6.10	11.60	71PS30
M33 (33mm)	33.50	36.00	53.00	55.00	6.60	6.80	11.60	71PS33
M36 (36mm)	36.50	38.50	56.00	58.00	5.80	6.00	10.60	71PS36

**Disclaimer:**

Dimensional data and technical information was obtained from publically available sources and not acquired through standard agencies. It has been completed and compiled for reference purposes only; where discrepancies are found they are subject to change without notice. Bolt & Nut Australia makes no warranties or representations regarding the accuracy and validity of the compiled information and data. Contact the relevant standard authorities for accurate and detailed information.

\* Cad Drawings may not reflect diameter, thread length or overall length.

© Bolt & Nut Australia Pty Ltd. All rights reserved.

Version: 15 Aug 2024