

*Disclaimer: Images are for illustrative purposes.*

## Tee - 4 Prong Nut

**Thread Type:** Metric - Coarse

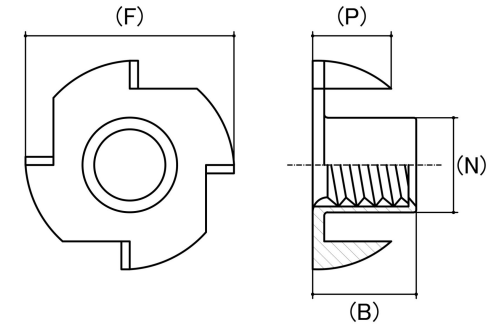
**Thread Direction:** Right Hand

**Material:** Stainless Steel

**Class Grade:** A2-70 G304

**Corrosion Protection Level:** Excellent

**Standard:** DIN 1624



Size	Thread Pitch (mm)	Thread Type	Overall Nut Height (B) (mm)		Flange Diameter (F) (mm)		Body Diameter (N) (mm)		Prong Height (P) (mm)		sku (Part Number)
			Min	Max	Min	Max	Min	Max	Min	Max	
M4	0.70mm	Coarse	7.40	7.80	14.50	15.00	5.50	5.70	5.00	5.40	41TS4
M5	0.80mm	Coarse	8.00	8.40	16.30	16.80	6.15	6.25	5.40	5.80	41TS5
M6	1.00mm	Coarse	8.70	9.10	18.30	18.90	7.25	7.60	7.00	7.40	41TS6
M8	1.25mm	Coarse	10.80	11.20	21.70	22.30	9.40	9.60	9.40	9.80	41TS8
M10	1.50mm	Coarse	12.60	13.00	24.60	25.40	11.30	11.60	9.40	9.80	41TS10
M12	1.75mm	Coarse	13.00	13.30	26.60	27.40	14.10	14.30	9.50	9.90	41TS12

**Disclaimer:**

Dimensional data and technical information was obtained from publically available sources and not acquired through standard agencies. It has been completed and compiled for reference purposes only; where discrepancies are found they are subject to change without notice. Bolt & Nut Australia makes no warranties or representations regarding the accuracy and validity of the compiled information and data. Contact the relevant standard authorities for accurate and detailed information.

© Bolt & Nut Australia Pty Ltd. All rights reserved.

Version: 17 Mar 2026