

Disclaimer: Images are for illustrative purposes.

Tee - 4 Prong Nut

Thread Type: Metric - Coarse

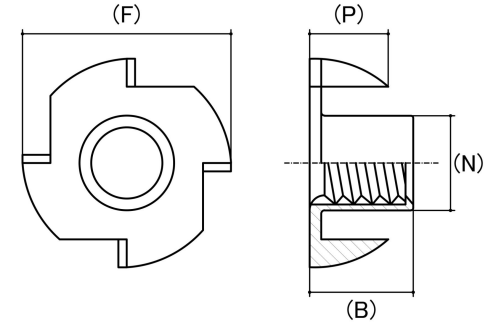
Thread Direction: Right Hand

Material: Carbon Steel

Class Grade: Low Tensile Class 4.6

Finish: Zinc Plated

Corrosion Protection Level: Moderate



Size	Thread Pitch (mm)	Thread Type	Overall Nut Height (B) (mm)		Flange Diameter (F) (mm)		Body Diameter (N) (mm)		Prong Height (P) (mm)		sku (Part Number)
			Min	Max	Min	Max	Min	Max	Min	Max	
M4	0.70mm	Coarse	7.90	8.10	14.80	15.20	5.10	5.30	5.30	6.00	41T4
M5	0.80mm	Coarse	7.90	8.10	16.70	17.10	6.10	6.30	5.30	6.00	41T5
M6	1.00mm	Coarse	8.90	9.10	18.50	19.00	7.20	7.40	6.40	7.00	41T6
M8	1.25mm	Coarse	11.00	11.20	21.50	22.00	9.20	9.40	7.20	7.80	41T8
M8	1.25mm	Coarse	17.00	17.30	21.50	22.00	9.30	9.50	7.70	8.20	41T817
M10	1.50mm	Coarse	12.00	12.30	24.40	25.40	11.70	12.10	7.90	8.40	41T10

Disclaimer:

Dimensional data and technical information was obtained from publically available sources and not acquired through standard agencies. It has been completed and compiled for reference purposes only; where discrepancies are found they are subject to change without notice. Bolt & Nut Australia makes no warranties or representations regarding the accuracy and validity of the compiled information and data. Contact the relevant standard authorities for accurate and detailed information.

© Bolt & Nut Australia Pty Ltd. All rights reserved.

Version: 17 Mar 2026