

Disclaimer: Images are for illustrative purposes.

Thin Lock Nut

Thread Type: UNC / BSW - Coarse

Thread Direction: Right Hand

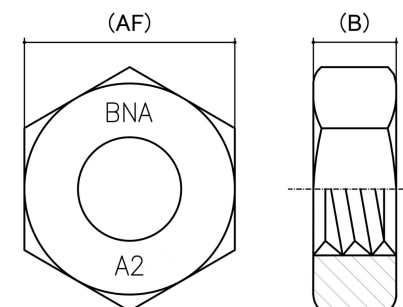
Material: Stainless Steel

Class Grade: A2-35 G304

Corrosion Protection Level: Excellent

Standard: ANSI B18.2.2

Comments: UNC and BSW have the same thread per inch (TPI) value, except for 1/2"



Size	Thread Pitch (TPI)	Thread Type	Overall Nut Height (B) (mm)		Across Flats (AF) (mm)		Spanner Size (AF) (inches)	sku (Part Number)
			Min	Max	Min	Max		
#2-56	56 TPI	Coarse	1.44	1.68	4.57	4.77	3/16"	41SC256
#3-48	48 TPI	Coarse	1.44	1.68	4.57	4.77	3/16"	41SC348
#4-40	40 TPI	Coarse	2.21	2.49	6.12	6.37	1/4"	41SC440
#5-40	40 TPI	Coarse	2.54	2.93	7.68	7.96	5/16"	41SC540
#6-32	32 TPI	Coarse	2.54	2.93	7.68	7.96	5/16"	41SC632
#8-32	32 TPI	Coarse	2.93	3.31	8.44	8.74	11/32"	41SC832
#10-24 (3/16")	24 TPI	Coarse	2.93	3.31	9.20	9.53	3/8"	41SC1024
#12-24	24 TPI	Coarse	3.76	4.09	10.88	11.16	7/16"	41SC1224
1/4"	20 TPI	Coarse	3.81	4.15	10.88	11.16	7/16"	41LSC14
5/16"	18 TPI	Coarse	4.57	5.08	12.43	12.76	1/2"	41LSC516
3/8"	16 TPI	Coarse	5.34	5.77	14.00	14.28	9/16"	41LSC38
7/16"	14 TPI	Coarse	6.10	6.35	17.15	17.48	11/16"	41LSC716
1/2"	13 TPI	Coarse	7.68	8.21	18.70	19.05	3/4"	41LSC12
5/8"	11 TPI	Coarse	9.23	9.83	23.42	23.83	15/16"	41LSC58
3/4"	10 TPI	Coarse	10.11	11.33	27.64	28.58	1-1/8"	41LSC34

Size	Thread Pitch (TPI)	Thread Type	Overall Nut Height (B) (mm)		Across Flats (AF) (mm)		Spanner Size (AF) (inches)	sku (Part Number)
			Min	Max	Min	Max		
7/8"	9 TPI	Coarse	11.64	12.96	32.24	33.33	1-5/16"	41LSC78
1"	8 TPI	Coarse	13.19	14.61	36.83	38.16	1-1/2"	41LSC1

Disclaimer:

Dimensional data and technical information was obtained from publically available sources and not acquired through standard agencies. It has been completed and compiled for reference purposes only; where discrepancies are found they are subject to change without notice. Bolt & Nut Australia makes no warranties or representations regarding the accuracy and validity of the compiled information and data. Contact the relevant standard authorities for accurate and detailed information.

© Bolt & Nut Australia Pty Ltd. All rights reserved.

Version: 17 Mar 2026